

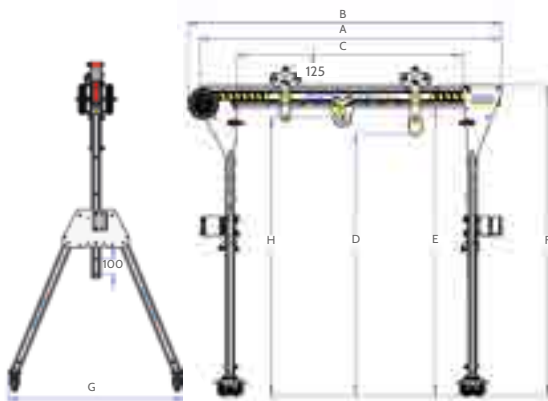


Porta Gantry Rapide (PGR)

Lightweight, PORTA-GANTRY

- Extremely light, the PGR gantry has a unique rapid deployment system that is quick to erect in less than a minute
- Meets the full requirements of EN795* Class B to enable use for both materials and personnel lifting/man-riding
- The basic gantry assembly can be equipped with numerous accessories and trolley types as detailed below dependant on the task in hand
- All of our PGR Gantries are specifically equipped with a pair of winch brackets and end sheaves to suit either the FABXR Recovery blocks, the PPEW2000 man-riding/materials winch or both if required

Product Code	Model	Dimensions (mm)														WLL			Weight (kg)
		A Beam Length	B Max	C Min	C Max	D Min	D Max	E Min	E Max	F Min	F Max	G	H Min	H Max	J	Goods Capacity (kg)	Fall Arrest Capacity* (persons)	Personnel* (kg)	
H050410000	PGRS20	2000	2076	1100	1500										2190	500	3	250	33.0
H050410001	PGRS23	2300	2376	1200	1800	1738	1938	1914	2114	2064	2264	1158	1850	2050	2376	400	2	200	34.0
H050410002	PGRS40	4000	4076	2700	3500										4076	250	1	125	40.0
H050410003	PGRM20	2000	2076	1100	1500										2076	400	2	200	34.0
H050410004	PGRM23	2300	2376	1200	1800	1642	2042	1818	2218	1968	2368	1215	1755	2155	2376	400	2	200	34.0
H050410005	PGRM40	4000	4076	2700	3500										4076	250	1	125	40.0
H050410006	PGRT20	2000	2076	1100	1500										2631	250	1	125	38.0
H050410007	PGRT23	2300	2376	1200	1800	1916	2816	2092	2992	2242	3142	1586	2028	2928	2631	250	1	125	39.0
H050410008	PGRT40	4000	4076	2700	3500										4076	250	1	125	44.0



Frames easily fold onto beam forming compact, stowable unit. Fits into a typical service van.

Product Code	Model	Capacity	
		Materials (kg)	Personnel (kg)
H050420001	PGR Trolley c/w Masterlink	500	250
H050420002	PGR Trolley Close Coupled	500	250
H050420003	PGR Sheave Carrier (Double)	500	250
H440410001	FAB X2R x 18m	-	-
H440810001	PPEW2000 Winch	250	125



PGR Trolley c/w Masterlink



PGR Trolley Close Coupled



PGR Sheave Carrier (Double)



FAB X2R x 18m



PPEW2000 Winch

SAFETY

